



27



Patented German Utility Model: 202 12 998.5



28



# CLIP SYSTEM **F45i**

Montageanleitung - Installation instructions  
Instructions de montage - Istruzioni di montaggio

29



30



04868A01-

31



1

2





3



4



5



6



21



22

23



24



25



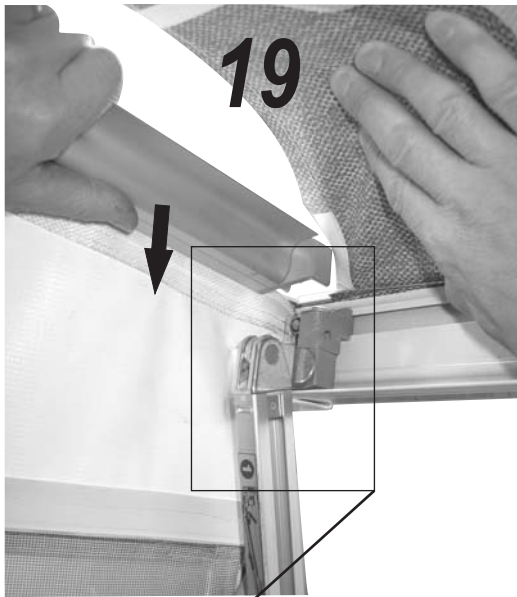
26

18

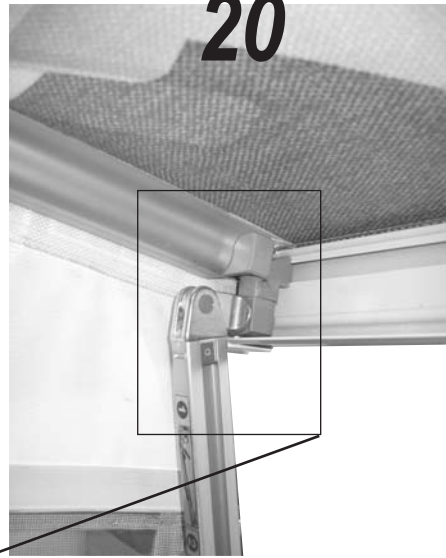


7

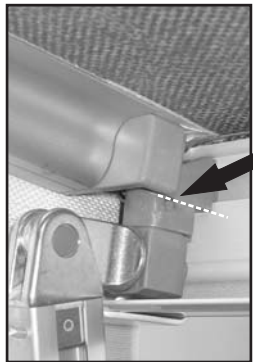
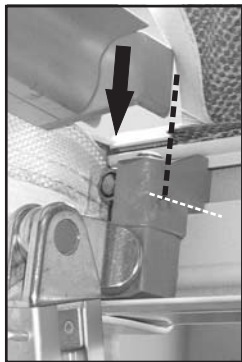
8



19



20



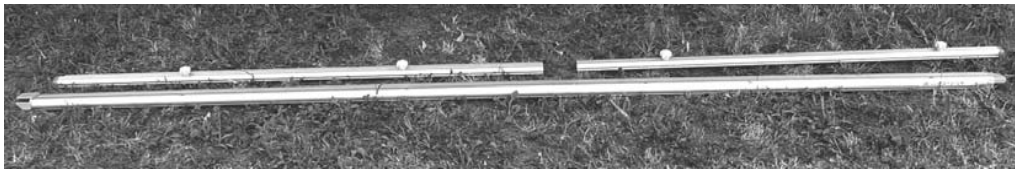
9



10

3

6



11



12



13



14



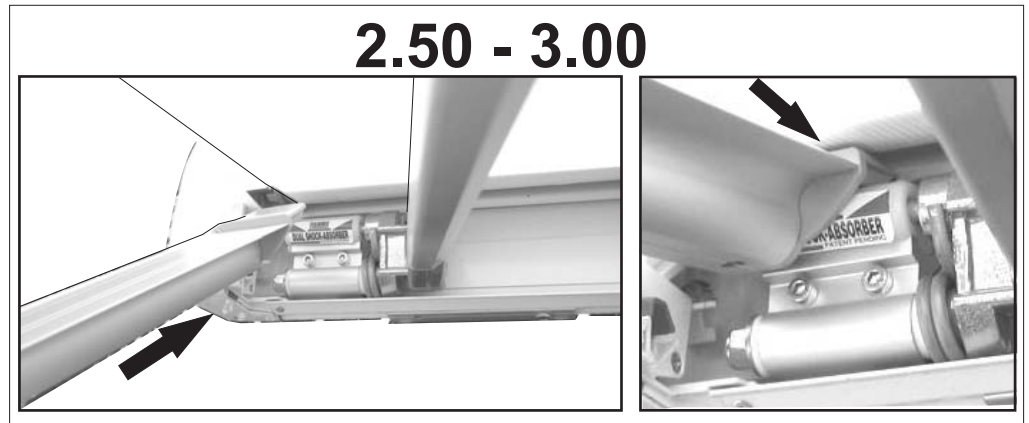
15



16



17



2.50 - 3.00

16

17